

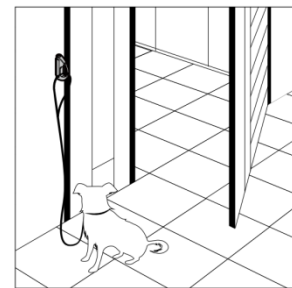
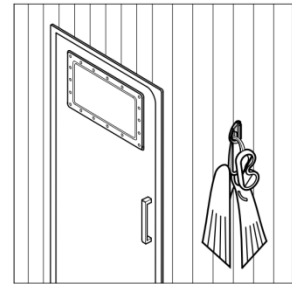
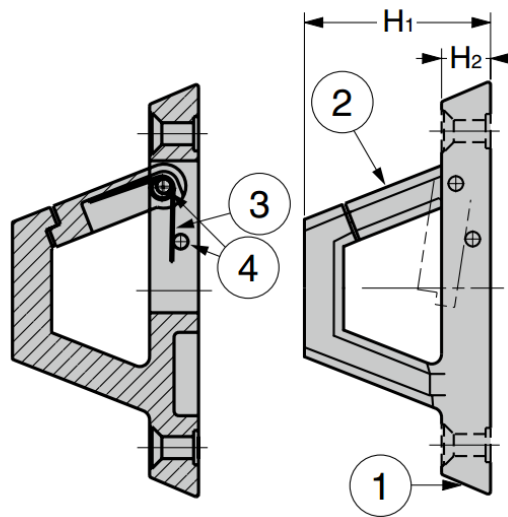
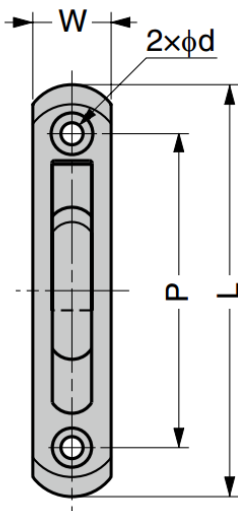
## GEN-K Stainless Steel 316 Latch Hook

### Features

- Hook is spring loaded to retract, preventing hooked items from falling off
- Chain or rope up to  $\phi 10$  (for **GEN-K84**) or  $\phi 20$  (for **GEN-K120**) can be hung
- Suitable for exterior use
- Slim design suitable for installation to door or window frame

### Parts Included

- **GEN-K84**: Countersunk head tapping screw 4x25
- **GEN-K120**: Countersunk head tapping screw 5x30



No.	Part Name	Material	Finish
①	Body	Stainless Steel (SCS14)	Polished
②	Arm		
③	Spring	Stainless Steel (SUS316)	Plain
④	Shaft		

※SCS14 is equivalent of SUS316.

Part No.	L	P	H <sub>1</sub>	H <sub>2</sub>	W	d	Applicable Rope Diameter	Load Capacity
<b>GEN-K84</b>	84	64	38	10	16	$\phi 4.5, \phi 8.5$	Max. $\phi 10$	196 N    20 kg
<b>GEN-K120</b>	120	96	54	12	22	$\phi 5.4, \phi 10.5$	Max. $\phi 20$	588 N    60 kg